

Turnpike Construction

Striping Procedure

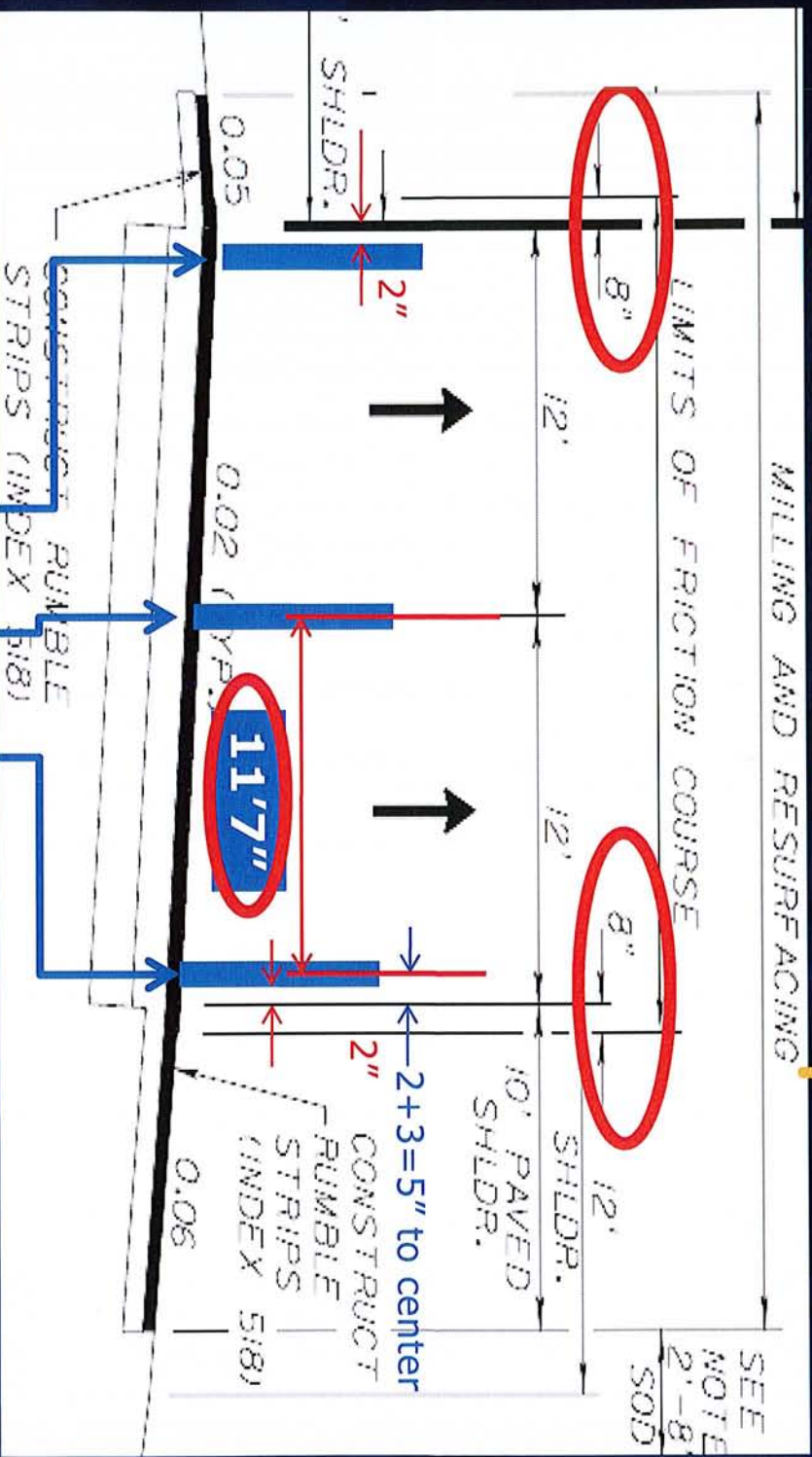
- Striping Pre-Work Meeting
- Require adequate Survey for Layout
- Plans may not be detailed enough to include:
 - Stripe width
 - Pavement joint location
 - RPM location
 - Location of existing striping on Bridges or Rdwy.

Turnpike Construction

Striping Procedure

- Retro-reflectivity
 - Timeliness is everything
 - Contractor takes Readings, submits Certification.
 - Turnpike QA has three (3) days to Verify.
- Thermoplastic Striping will be placed wherever we place the Temporary Striping.
- We are going to live with what we do, let's get it right the first time!

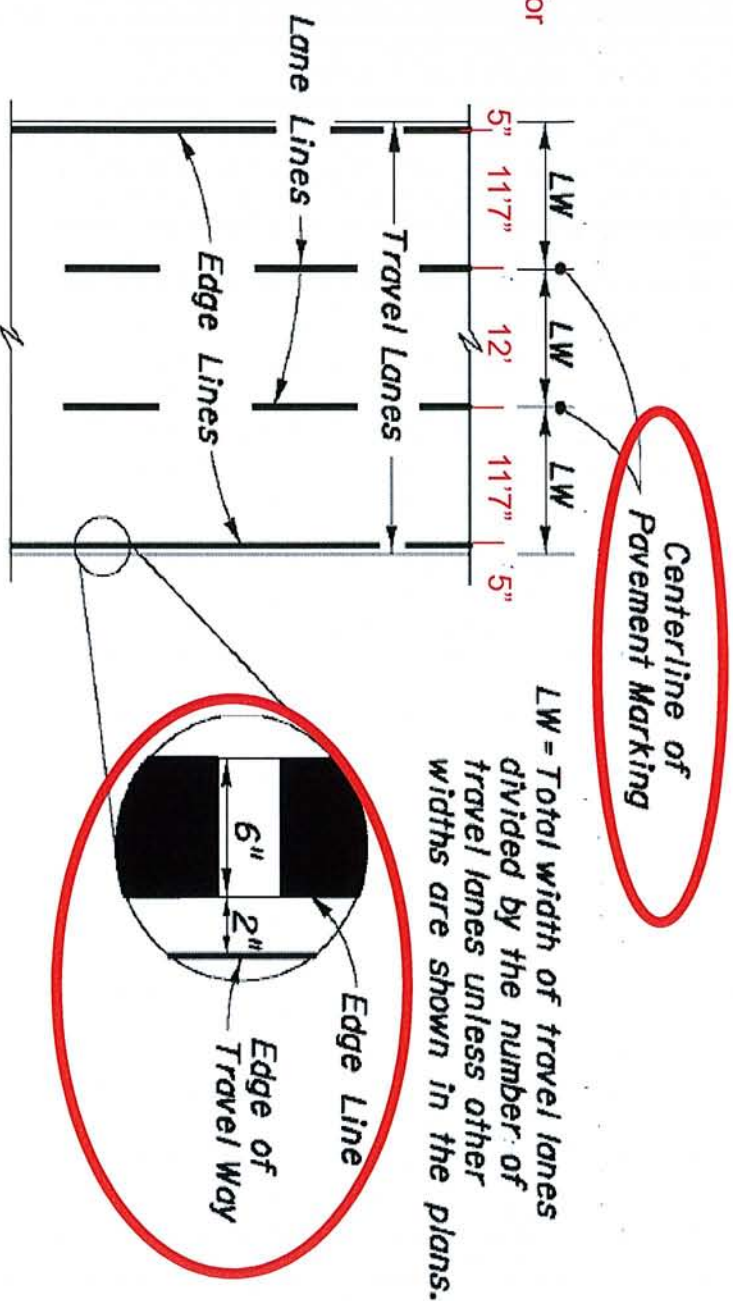
Placement of Stripe



Placement of Stripe – 11'7" from center to center of stripes

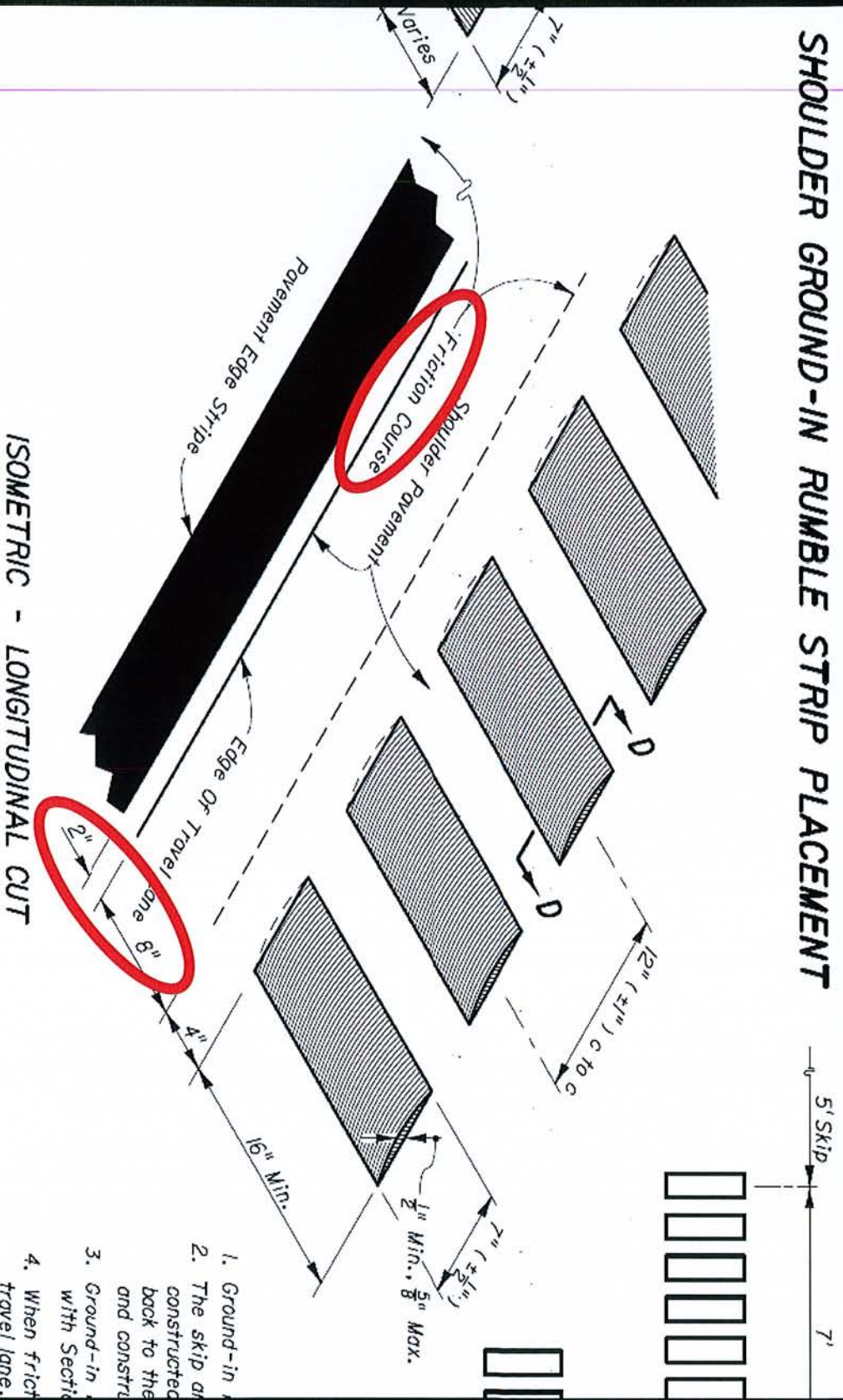
Placement of Stripe - Index 600

Striping layout for
3 - 12' lanes:
5", 11'7", 12',
11'7", 5" = 36'



PLACEMENT OF PAVEMENT MARKINGS

SHOULDER GROUND-IN RUMBLE STRIP PLACEMENT



1. Ground-in
2. The skip an
3. Ground-in
4. When frict

Placement of Stripe - Index 518